

Bridge handles



Material

Glass-fibre reinforced polyamide based (PA) technopolymer. Resistant to solvents, oils, greases and other chemical agents.

Colour

Grey-black, matte finish.

Caps

Technopolymer in Ergostyle colours, glossy finish; supplied with the handle, press-fit assembly, removable by a screwdriver. Available also as accessories sold separately (see table).

Code	Description	Caps for
29830-*	ECA.B0-*	EBP.110
29831-*	ECA.B1-*	EBP.140 EBP.150 EBP.180 EBP.200
29831-*	ECA.B1-*	EBP.140-FLX / EBP.180-FLX

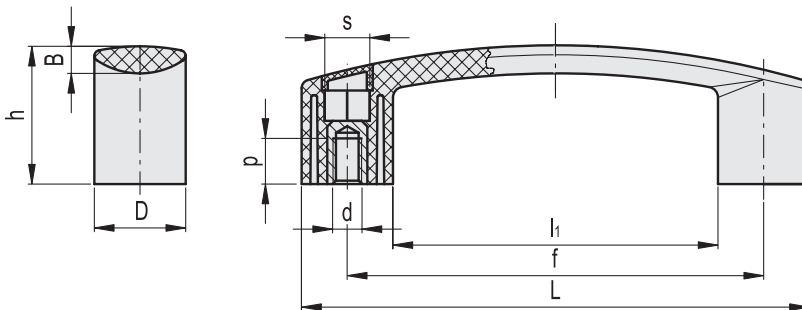
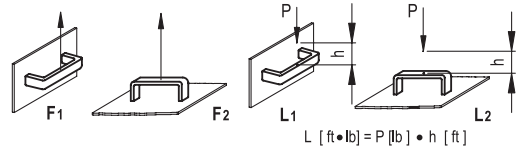
* Complete with colour index (C1, ..., C6).

Standard execution

Brass bosses, threaded blind holes.

Features and applications

EBP handles with back mounting can be assembled in pairs opposed to EBPB handles with front mounting (Fig. 1).



* Complete with colour index, example: 90260121-C2 EBP.110 B-1/4-20-C2

C1	C2	C3	C4	C5	C6
RAL7021	RAL2004	RAL7035	RAL1021	RAL5024	RAL3000

american unit
metric unit

Code	Description	L	f	s	d _{zB}	D	h	B	l ₁	p	F1 [lbf] [N]	F2 [lbf] [N]	L1 [ft lb] [J]	L2 [ft lb] [J]	⚖️
90260121-*	EBP.110 B-1/4-20-*	4.57 116	3.68±0.02 93.5±0.5	0.39 10	1/4-20	0.87 22	1.38 35	0.3 7.5	2.83 72	0.47 12	448 2000	336 1500	5.9 8	2.21 3	0.1 45
90260221-*	EBP.140 B-5/16-18-*	5.67 144	4.61±0.02 117±0.5	0.51 13	5/16-18	1.02 26	1.54 39	0.33 8.5	3.62 92	0.51 13	604.8 2700	403.2 1800	7.37 10	2.95 4	0.14 65
90260256-*	EBP.150 B-5/16-18-*	6.26 159	5.2±0.02 132±0.5	0.51 13	5/16-18	1.06 27	1.65 42	0.37 9.5	4.13 105	0.51 13	604.8 2700	403.2 1800	8.11 11	2.95 4	0.18 82
90260321-*	EBP.180 B-5/16-18-*	7.01 178	5.91±0.04 150±1	0.51 13	5/16-18	1.1 28	1.77 45	0.37 9.5	4.8 122	0.51 13	604.8 2700	336 1500	8.84 12	3.69 5	0.22 98
90260421-*	EBP.200 B-5/16-18-*	8.21 208.5	7.05±0.04 179±1	0.51 13	5/16-18	1.12 28.5	2.01 51	0.37 9.5	5.93 150.5	0.51 13	492.8 2200	336 1500	11.79 16	6.63 9	0.24 108